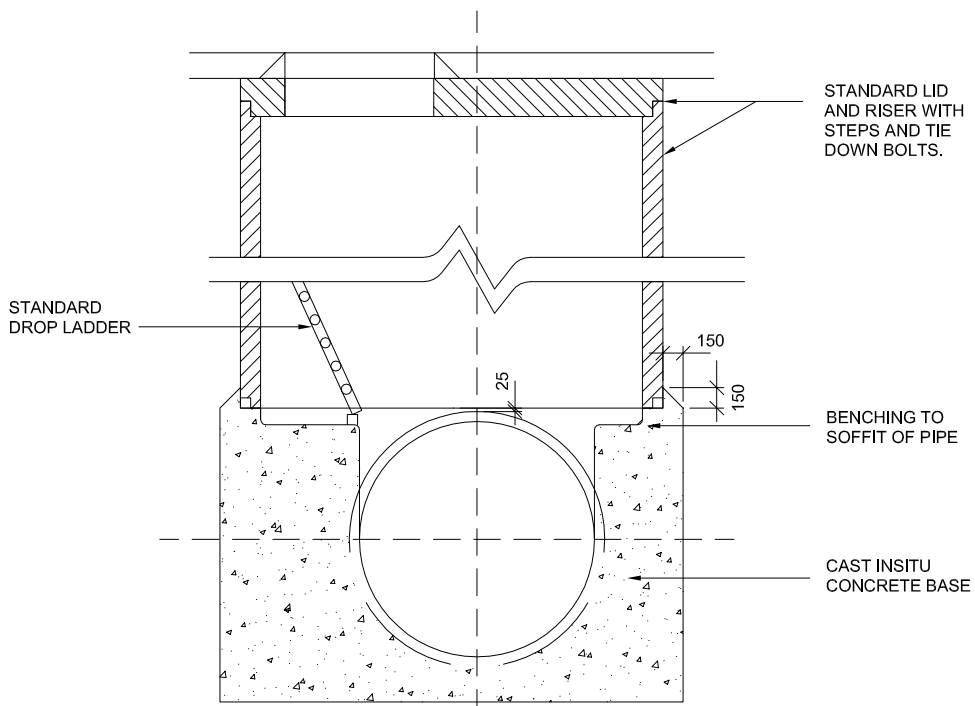


PLAN
N.T.S.



SECTION
N.T.S.



STANDARD DETAIL:

**LARGE MANHOLE
GUIDELINES**

DATE: June 2010
NOT TO SCALE

TCDC NO: SHEET NO: REV:

6000 7