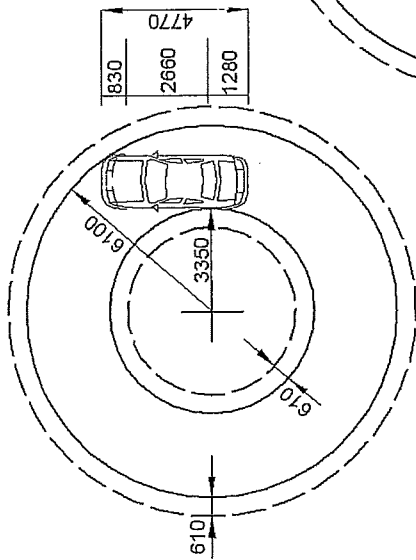
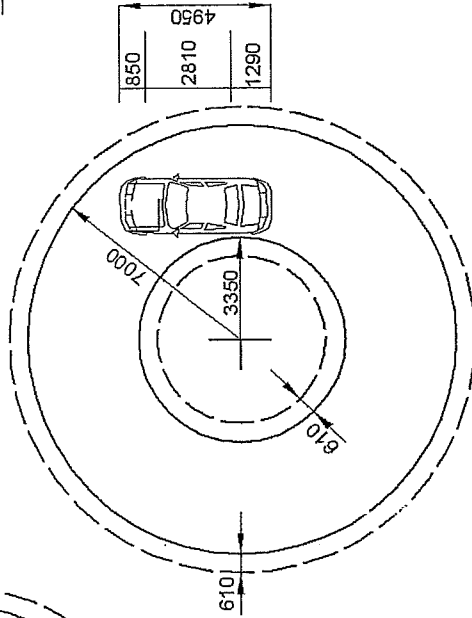


CARPARK STANDARD

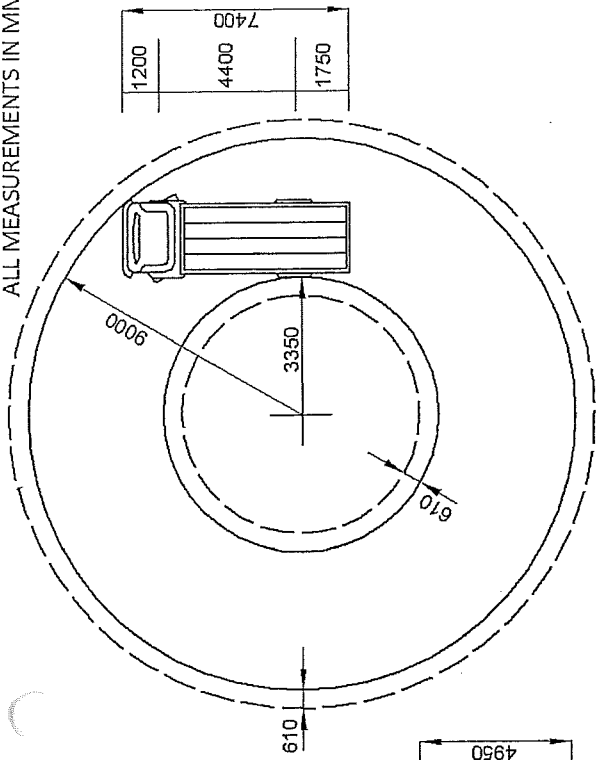
ALL MEASUREMENTS IN MM



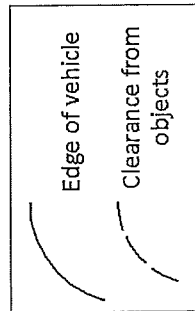
90 PERCENTILE
Design Car



99 PERCENTILE
Design Car

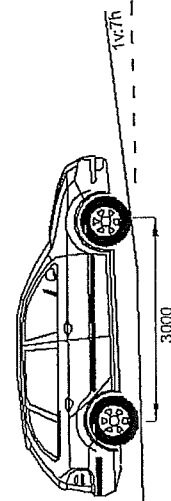


90 PERCENTILE
Two-Axled Truck

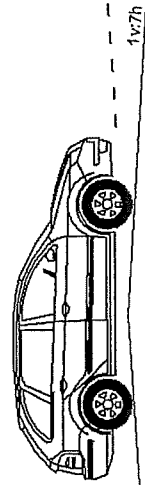


VEHICLE TRACKING CURVES

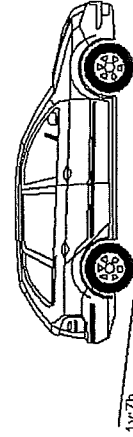
Scale 1:250 @ A4



ACCESS DRIVE GRADE CHANGE
1 in 7 max AT 3m from kerb



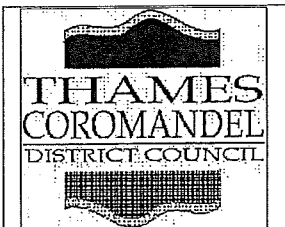
BREAKOVER ANGLE
1 in 7 max



DEPARTURE ANGLE
1 in 7 max

APPROACH ANGLES

Not to Scale



STANDARD DETAIL:

**PARKING LOT
MANOEUVRING
REQUIREMENTS**

DATE:
NOT TO SCALE

TCDC NO:

SHEET NO:

REV:

3000

29

0