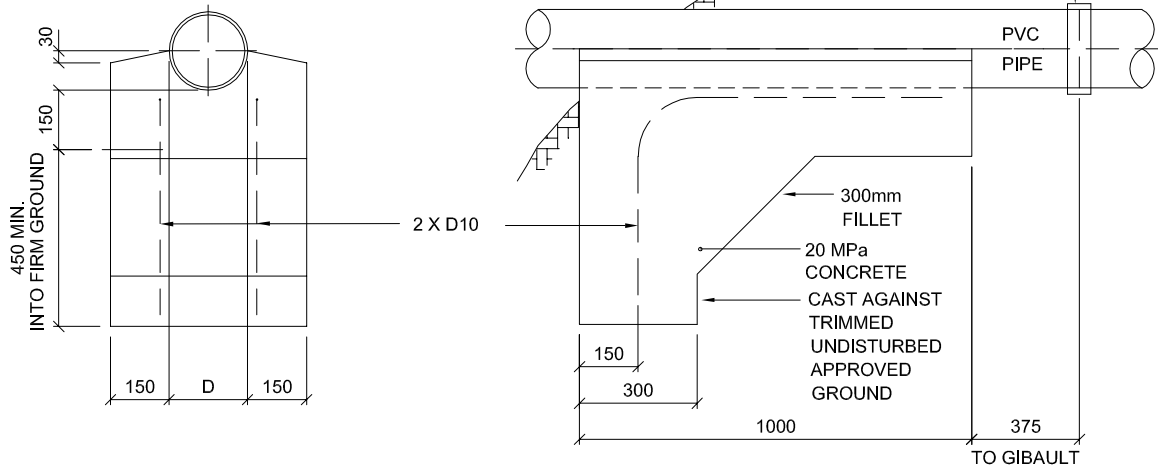
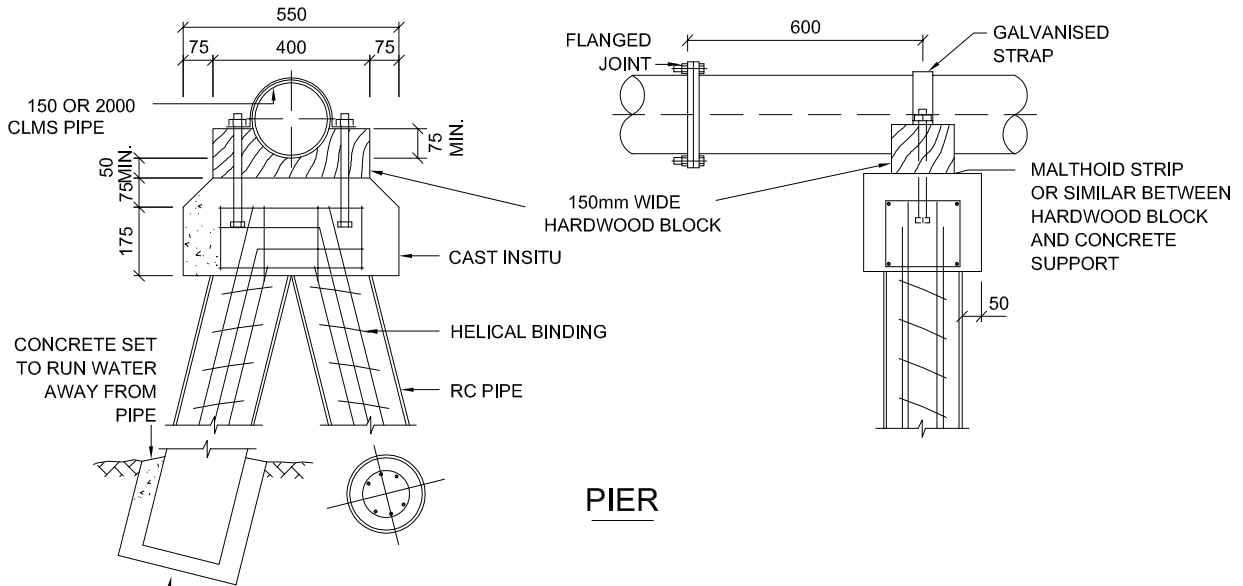


BED CLMS PIPE TO ONE ABUTMENT ONLY
WITH MALTHOID OR SIMILAR APPROVED MATERIAL.



ABUTMENT



PIER

NOTES:-

1. Steel straps 50 X 10mm bolted down with 20mm dia. bolts to be set 125mm into concrete.
2. 6mm dia. helical binding at 100mm pitch welded to alternative longitudinal bars - 6 in each pipe 16mm dia.
3. For pipe sizes greater than 200mm dia. specific design is required.



STANDARD DETAIL:

**PIPE BRIDGE FOR
150 - 200 DIAMETER
PIPE**

DATE: June 2010
NOT TO SCALE

TCDC NO: SHEET NO: REV:

5000 17