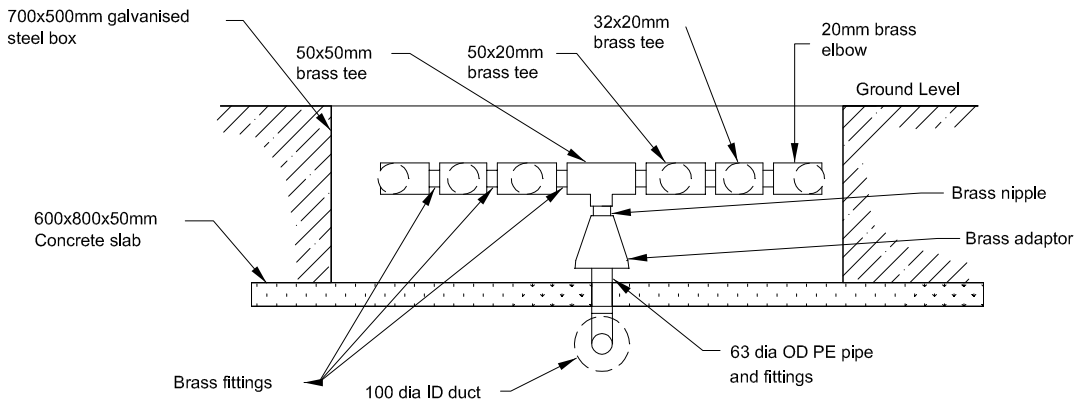


PLAN



X-X

Notes:

1. All fittings in the meter bank to be TCDC approved.
2. Galvanised steel box to comply with the dimensions as shown above. Slots to be cut before galvanising.
3. Each meter bank to have minimum of three meters and maximum of six meters.
4. The numbered tags to be provided on each connection starting with unit 1 (or the lowest unit number) on the left hand side. The tags shall be indelibly marked.



STANDARD DETAIL:

**WATER METER BANK
DETAIL**

DATE: June 2010
NOT TO SCALE

TCDC NO: SHEET NO: REV:

4000 14