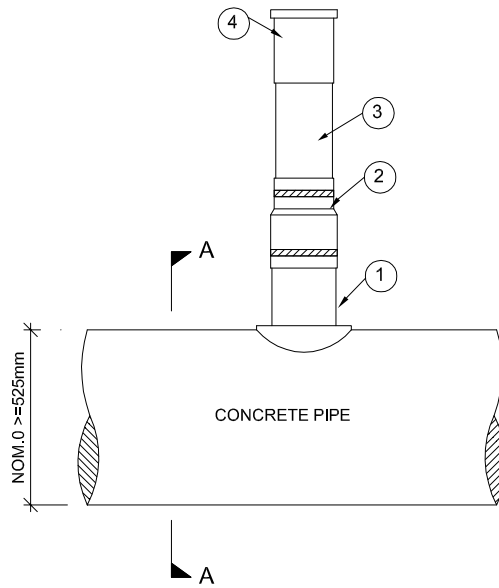


**SECTION A-A**  
N.T.S.



**ELEVATION**  
N.T.S.

| SERVICE CONNECTION FITTINGS SCHEDULE |                     |   |      |
|--------------------------------------|---------------------|---|------|
| FITTING                              | DIA (mm)            | DESCRIPTION   | QTY. |
| ①                                    | 100 (160)           | CERAMIC SADDLE, CLARKS POTTERIES, PLAIN AND SQUARE ONE END, OTHER END PROFILED FOR INSTALLATION ON EXISTING PUBLIC DRAIN WITH COLLAR OR DUX FERNCO SHEAR BAND | 1    |
| ②                                    | AC 1362             | FLEX-SEAL ADAPTOR COUPLING OR DUX FERNCO SHEAR BAND, TYPE A OR B EPDM RUBBER, GRADE 316 LOCKING BANDS   | 1    |
| ③                                    | 110 O.D. (160 O.D.) | uPVC PLAIN ENDED PIPE, SN16 PLAIN WALL, CUT TO SUIT   | 1    |
| ④                                    | 110 O.D. (160 O.D.) | uPVC SCREW CAP FITTING, SN16, (INCLUDING CAP)   | 1    |

**NOTES:**

- 1) Diameter in brackets represent fittings for 150mm diameter connection.
- 2) Solvent cement and cleaner primer shall be of approved make eg. Novakey or similar.
- 3) The hume bond shall be carefully finished off flush inside barrel of the pipe so that no protusion of epoxy occurs. The barrel should be smooth and neat.



STANDARD DETAIL:

**STORMWATER SERVICE  
CONNECTION DETAILS  
CONCRETE PIPES 525MM  
DIA. OR LARGER**

DATE: June 2010  
NOT TO SCALE

TCDC NO: **6000** SHEET NO: **5** REV: