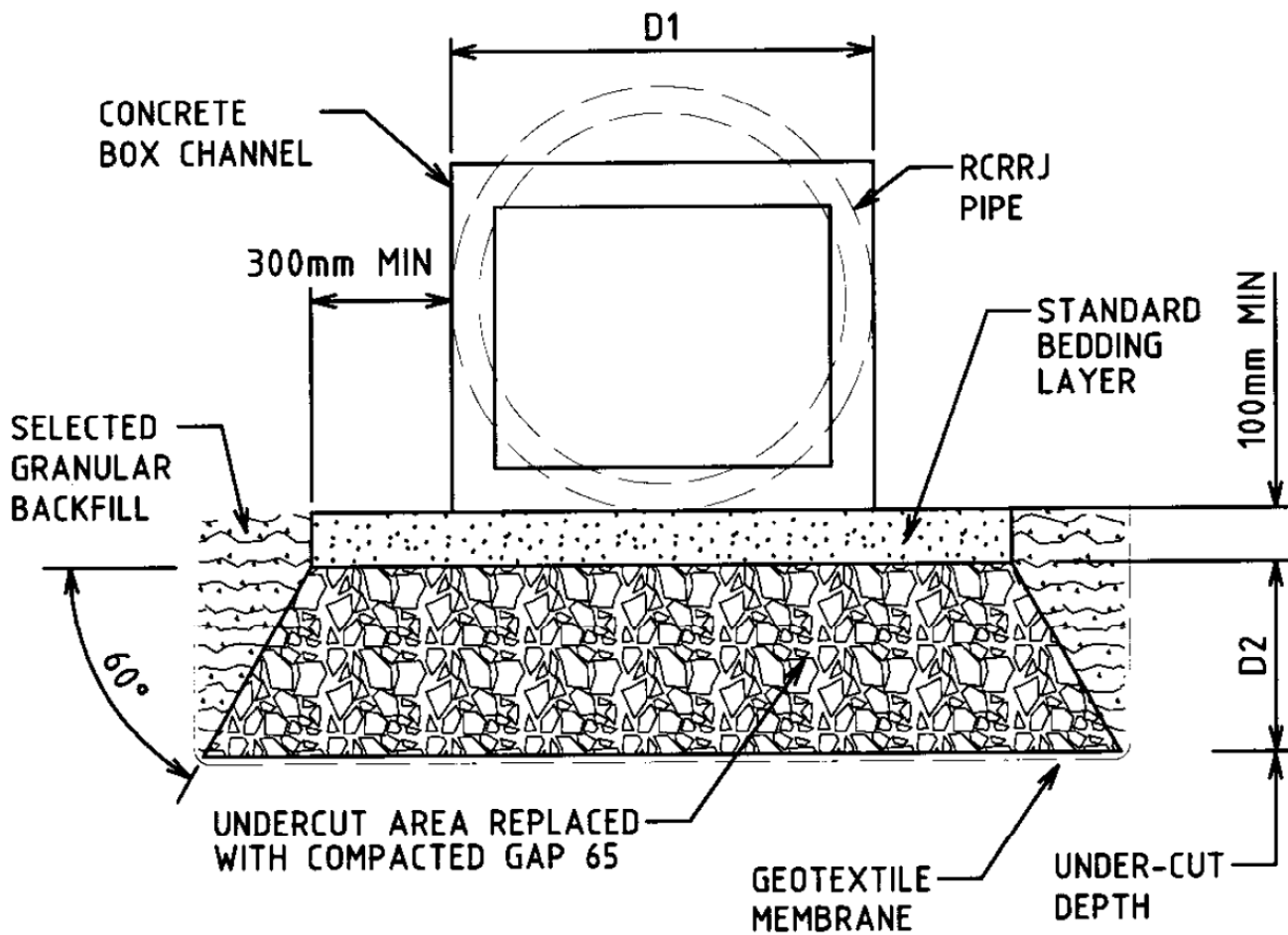


| CBR | UNDER-CUT CARRIAGE WAY | UNDERCUT BERM & GRASS AREAS | GEO TEXTILE TYPE |
|-----|------------------------|-----------------------------|------------------|
| | D2 | D2 | |
| 0.5 | 850 | 550 | TERRAM 3000 |
| 1 | 600 | 300 | TERRAM 3000 |
| 1.5 | 450 | 200 | TERRAM 3000 |
| 2 | 350 | 200 | TERRAM 3000 |



DATE PLOT 01 JUL 03

SCALE
NTS



SHEET TITLE
FOUNDATION TREATMENT FOR PIPES AND CHANNEL

PLAN No. 6000 SHEET 23
Date Stamp 01/08/2003
ISSUE A Sheet No. 1 of 1