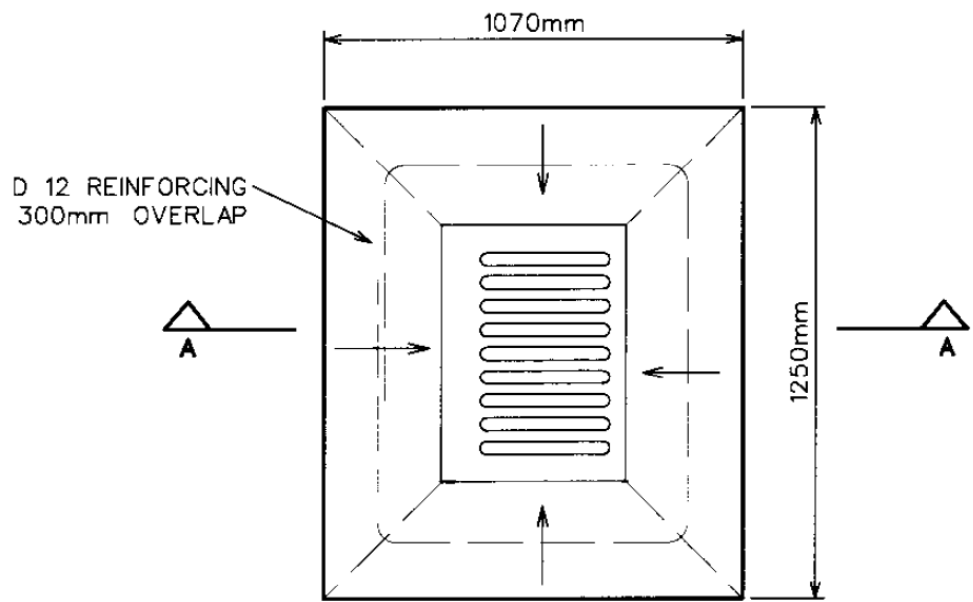


SECTION A-A



PLAN

SCALE NTS		SHEET TITLE TYPICAL YARD CATCHPIT AND APRON	PLAN No. 6000 SHEET 18
			Date Stamp 12/09/2003
			ISSUE A
			Sheet No. 1 of 1