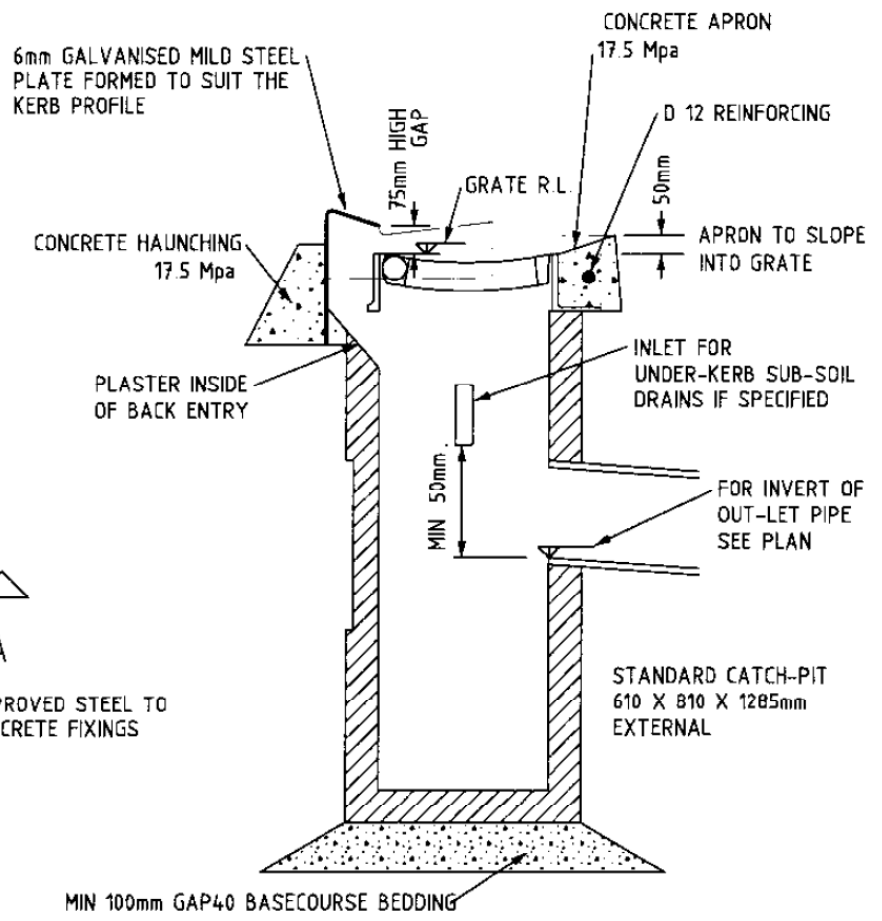


PLAN



SECTION A-A

SCALE NTS		SHEET TITLE	PLAN No.
		TYPICAL BACK-ENTRY CATCHPIT & APRON FOR MOUNTABLE KERB	6000 SHEET 15
		Date Stamp	
		ISSUE	Sheet No.
		B	1 of 1