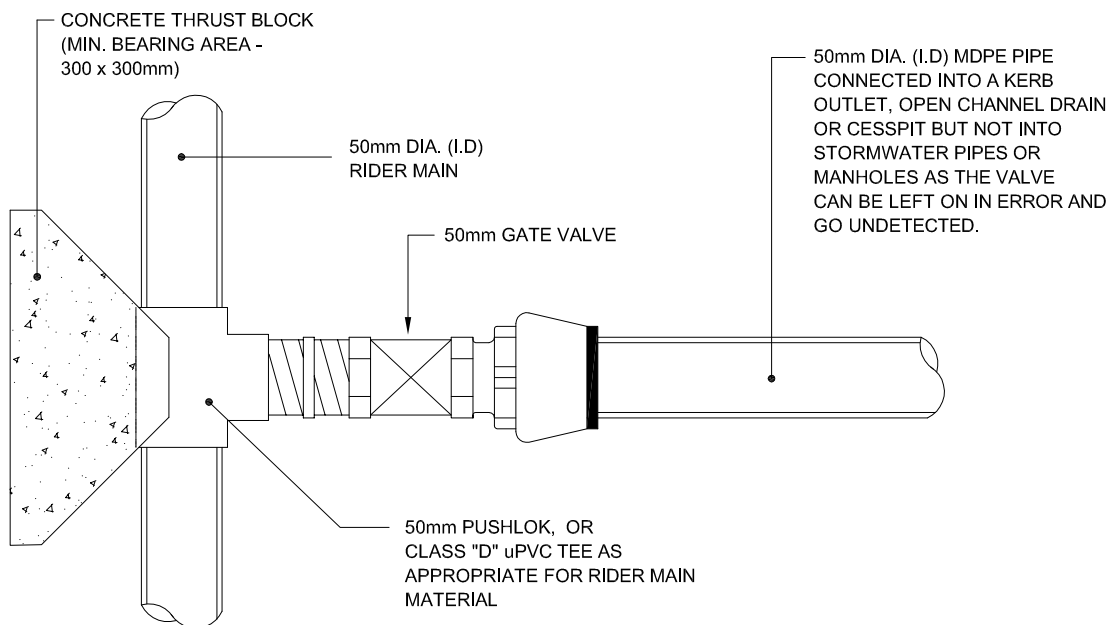


DEAD END SCOUR VALVE DETAIL



ON LINE SCOUR VALVE DETAIL

NOTES:-

1. Gate valve to be kept closed and post, kerb lid etc. To be painted red.
2. Valve to be labelled as "scour valve - keep closed" on all plans.



STANDARD DETAIL:

SCOUR VALVE DETAIL

DATE: June 2010
NOT TO SCALE

TCDC NO: SHEET NO: REV:

4000 11